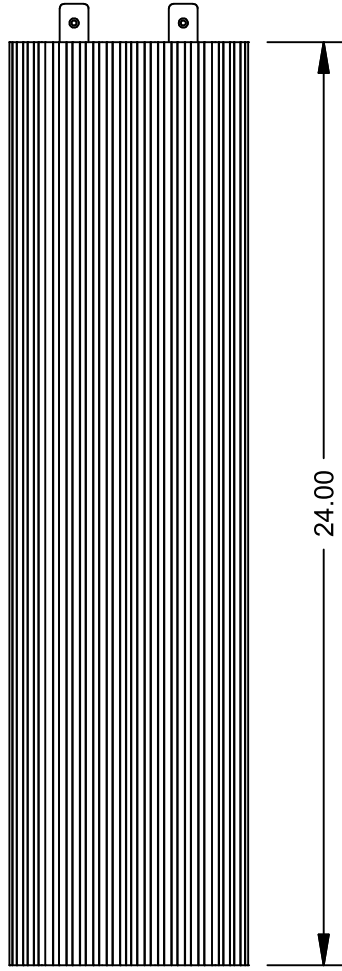
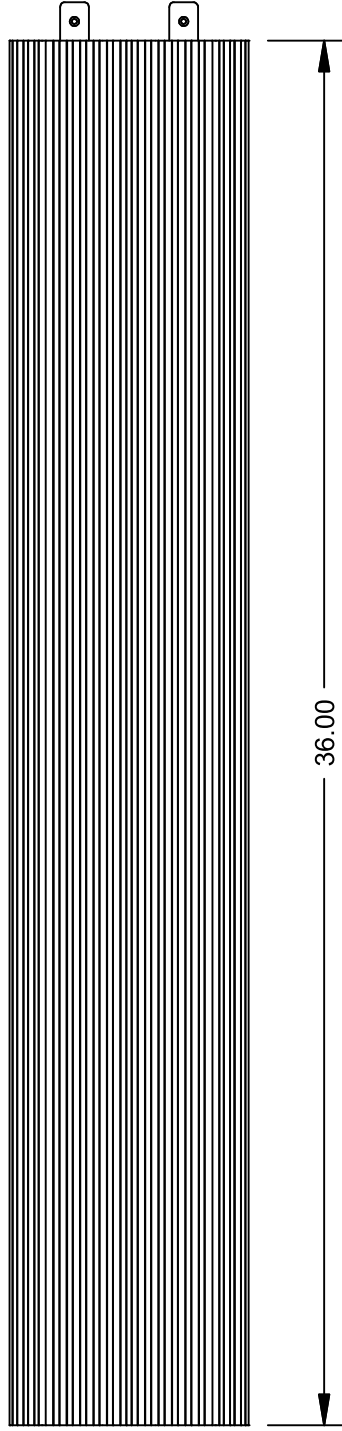
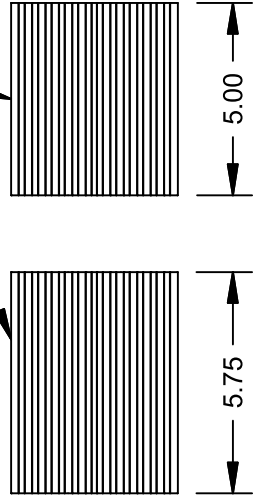
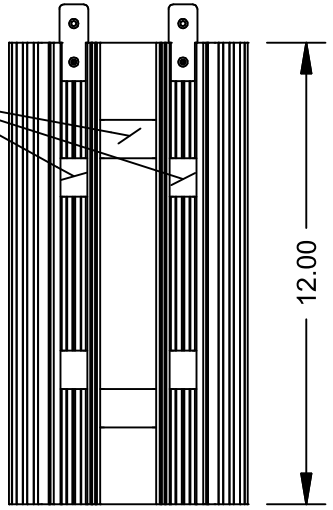


1
2
3
4



MOVEABLE WIRE GUIDES

2 COVERS PROVIDED FOR 12" SECTION
(USE WITH ANY SMART-WAY 2G ELECTRICAL
BOX AND WALL FEED LAYOUT)



ADA COMPLIANT

FSR Inc. 244 BERGEN BLVD. WOODCLIFF PARK, NJ 07677 TEL (973) 785-4347 FAX (973) 785-3318	TITLE:	SW-T123
	DRAWN BY: JRE DATE: 12/10/19 DWG#: SW-T123 REV: - SCALE: -	

C B A

C B A

1
2
3
4